



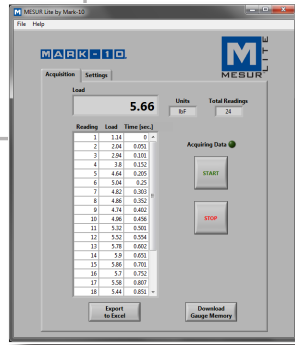
Series TT03C digital cap torque gauges are quick and economical solutions for basic handheld cap torque testing. These portable instruments eliminate the need to secure closures in a fixture or more elaborate testing system. A dedicated remote torque sensor with Jacobs chuck is supplied with a universal grip for caps from 0.65 - 1.55 in (16.5 - 39.4 mm) diameter (Series TT03C gauges consist of a Series TT03 torque gauge and G1053 cap grip).

Series TT03C records both application and removal torque values (clockwise and counter-clockwise directions), and is available in three capacities from 12 to 100 lbfIn (135 to 1150 Ncm).

Series TT03C features a sampling rate of 2,000 Hz, producing accurate results under a wide range of test conditions. A backlit graphic LCD displays large characters, and a menu is available to access the gauges' features and configurable parameters. USB output is provided for data collection purposes.

Set point indicators are provided for pass-fail testing. The gauges are overload protected to 150% of capacity, and an analog load bar is shown on the display for graphical representation of applied torque.

The gauges include MESUR® Lite data acquisition software, for tabulation of continuous or individual data points. One-click export to Excel button easily allows for further data manipulation.



^ MESUR Lite data acquisition software is included with Series TT03C gauges



^ Universal cap grip and ergonomic sensor design makes testing a breeze

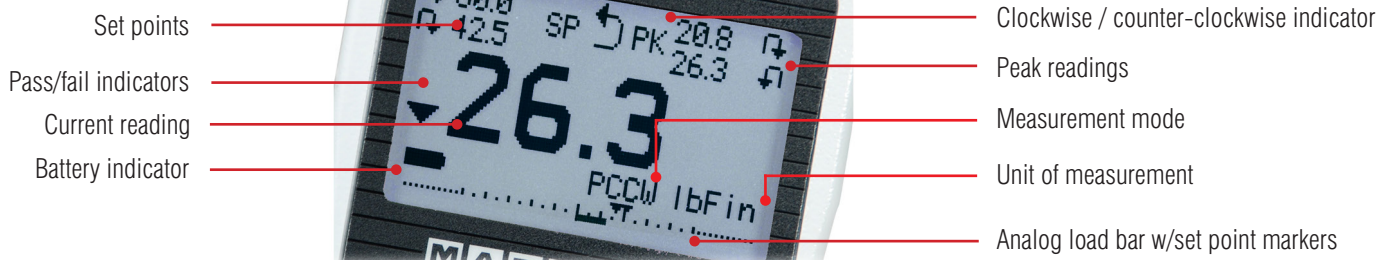


^ Optional AC1008 tabletop mounting stand

## Features

- Universal grip accommodates broad cap size range
- Peak torque values saved and displayed
- High-speed 2,000 Hz sampling rate
- USB data output of continuous or individual data points
- Programmable set points with pass/fail indicators
- Live load bar graph with set point markers
- Peak CW and CCW readings always displayed
- Set points always displayed
- Configurable audio alarms and key tones
- MESUR® Lite data collection software included

## Display Indicators

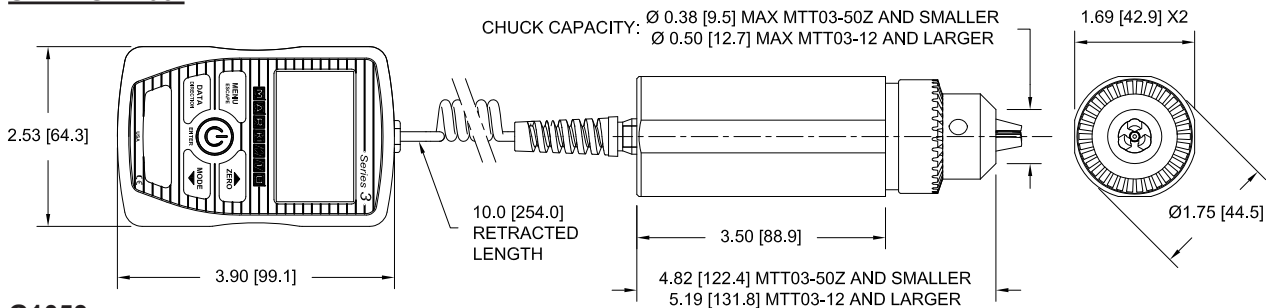


## Specifications

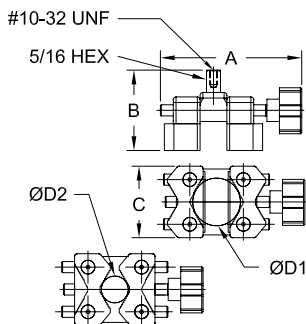
<b>Accuracy:</b>	±0.5% of full scale
<b>Sampling Rate:</b>	2,000 Hz
<b>Cap Diameter Range:</b>	0.65 - 1.55 in [16.5 - 39.4 mm]
<b>Power:</b>	AC or rechargeable battery. Multi-step low battery indicator is displayed, gauge shuts off automatically when power is too low.
<b>Battery Life:</b>	<b>Backlight on:</b> up to 7 hours of continuous use / <b>Backlight off:</b> up to 24 hours of continuous use
<b>Measurement Units:</b>	lbFin, ozFin, Ncm
<b>USB Output:</b>	Configurable up to 115,200 baud.
<b>Safe Overload:</b>	150% of full scale (display shows "OVER" at 110% and above)
<b>Weight (without grip):</b>	1.8 [0.8 kg]
<b>Included Items:</b>	Carrying case, universal voltage AC adapter, battery, quick-start guide, USB cable, and NIST-traceable certificate of calibration (certificate with data is available for an additional charge).
<b>Environmental requirements:</b>	40 - 100°F, max. 96% humidity, non-condensating
<b>Warranty:</b>	3 years (see individual statement for further details)

## Dimensions in [mm]

### SERIES TT03:



### G1053:



A	B	C	$\varnothing$ D1*	$\varnothing$ D2*
3.1 [78.7]	2.0 [50.8]	1.6 [40.6]	1.16 - 1.80 [29.5 - 45.7]	0.65 - 1.29 [16.5 - 32.8]

\* Jaws must be reversed to switch from  $\varnothing$ D1 to  $\varnothing$ D2

## Optional Items

<b>AC1008</b>	Tabletop mounting kit
<b>CERT</b>	Certificate of calibration with data

## Capacity & Resolution

Model No.	ozFin	lbFin	Ncm
MTT03C-12	192 x 0.2	12 x 0.01	135 x 0.1
MTT03C-50	800 x 1	50 x 0.05	570 x 0.5
MTT03C-100	1600 x 2	100 x 0.1	1150 x 1

All models include 110V AC adapters, unless ordered as below:  
 Add suffix 'E' for euro plug (220V), 'U' for UK plug (220V) or 'A' for Australian plug (220V).  
 Example: MTT03C-12E, MTT03C-50U, MTT03C-100A